

FLASHWAVE[®] 4500

Multiservice Provisioning Platform

The Fujitsu FLASHWAVE 4500 MSPP is a unifying platform for Carrier Ethernet and SONET derived services from DS1 to OC-192. The platform allows the convergence of data, synchronous and asynchronous networks, while simplifying network management.



FLASHWAVE® 4500

Multiservice Provisioning Platform

Migration to Ethernet

Today's optical transport networks are increasingly defined by the unpredictable convergence of voice, data and video technologies. They are shaped by accelerating service demands and shifting business models that aim to reduce overall operational expenditures. To succeed, national, local and multiservice providers need extremely flexible and scalable infrastructure equipment that will adapt to emerging bandwidth fluctuations.

Transition to packet services

The Fujitsu FLASHWAVE® 4500 Multiservice Provisioning Platform (MSPP) provides a unified platform for both packet and SONET-derived services. The FLASHWAVE 4500 MSPP solves major business and network problems by reducing transport costs and power requirements, conserving valuable space and simplifying network management. The system allows convergence of data, synchronous and asynchronous networks, increasing revenue without the expense of overlay networks.

Converged Ethernet services

The MEF-certified FLASHWAVE 4500 platform supports a wide range of Ethernet interfaces and features. Utilized as a hybrid TDM/packet device, the inherent bandwidth granularity within a single system can realize further savings.

A quantumleap in efficiency and scalability

The FLASHWAVE 4500 MSPP provides a quantum leap in network efficiency. It delivers a flexible, carrier-class multiservice optical transport solution for a comprehensive range of applications. This highly scalable system easily expands to become a Multiservice Switching Platform (MSSP), supporting ultra high-capacity grooming applications. Such scalable expansion previously required an expensive Digital Cross-connect System (DCS).



FLASHWAVE 4500 single-shelf configuration

Optical flexibility and density

The FLASHWAVE 4500 system offers an extremely cost- and space-effective solution for traditional SONET Add/Drop Multiplexer (ADM) applications. Its architecture supports advanced functionality, such as high-density Ethernet transport, data aggregation, versatile multirate optical interfaces and optional integrated DS1/DS3 grooming.

The FLASHWAVE 4500 platform enables you to:

- **Migrate** TDM to packet with efficient Gigabit Ethernet (GbE) streams within the SONET layer.
- **Unify** service delivery and applications with a single, flexible multirate card (OC-3 to OC-48).

Trusted to deliver with proven reliability

Fujitsu has deployed more than 400,000 Network Elements (NEs) throughout every sector of the communications market in North

America. Our platforms have also been proven via rigorous independent assessment. One example is testing of the FLASHWAVE 4500 system by the U.S. Defense Information Systems Agency (DISA)-sanctioned Joint Interoperability Test Command (JITC) for use in the DISA Defense Information System Network (DISN).



Optimized for Efficiency

Future-proof strategy, scalability

The FLASHWAVE 4500 system's switch fabric units match system capacity to that of the network, helping to control capital outlay. The platform enables an elegant scalable solution, allowing grooming capacity to be added as needed. This architecture scales from MSPP (70 Gbps) to MSSP (300 Gbps) single-rack configurations, protecting initial capital investments. The system integrates multiple service, transport and grooming elements into a single NE. A centralized non-blocking STS-1 switching architecture, combined with an optional 40 Gbps VT1.5 switching fabric, provides flexible grooming within the STS-1 to ensure maximum use of available bandwidth.

Ethernet flexibility, aggregation

The FLASHWAVE 4500 system enables flexible management and cost-effective transport of Ethernet services. Packet transport efficiency is optimized by utilizing features such as VCAT, LCAS, & RPR. The platform's Trunking Port (TPORT) function can efficiently aggregate multiple VLAN and EoW WAN services onto a single GbE LAN facility. This capability is ideal for applications that require Ethernet aggregation, such as wireless backhaul. TPORT functionality also reduces routers/switch ports, external cabling and FLASHWAVE 4500 system interface ports. Optional redundant GbE hand-offs provide facility and module protection for mission-critical applications.

Key technical advantages

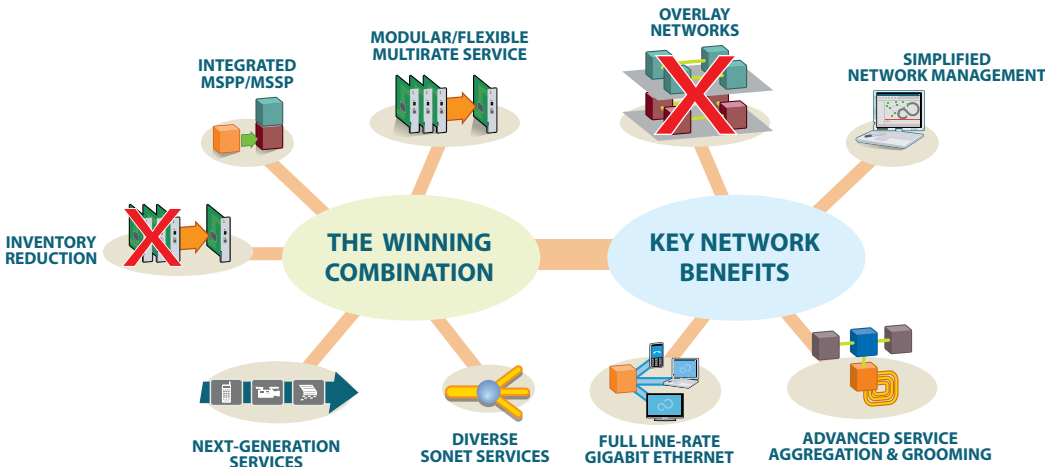
The FLASHWAVE 4500 platform supports a wide range of services, while improving the bottom line:

- **Integrated** MSPP and high-density MSSP on a single platform
- **Modular** and flexible multirate service interface to conserve shelf real estate
- **Tunable** optics for reduced sparing inventories
- **Next-Generation** data, video and voice services, plus operational continuity with existing networks
- **Diverse** MEF-9 and MEF-14 certified E-Line and E-LAN services over a reliable SONET platform

Key network benefits

The FLASHWAVE 4500 platform delivers a full range of services and architectures utilizing SONET and Ethernet technologies:

- **Full Line-Rate** Gigabit Ethernet provisioning over all SONET/DWDM backbones
- **Advanced** service aggregation and grooming (DS1, DS3, STS-1, optical and Ethernet)
- **Simplified** network management and visibility (performance monitoring data)
- **Converged** data, synchronous and asynchronous networks without expensive overlay networks



FLASHWAVE® 4500

Multiservice Provisioning Platform

Critical network applications

Wireless backhaul

For wireless-carrier backhaul services, the FLASHWAVE 4500 is the transport platform of choice, delivering Ethernet aggregation and TDM grooming. The platform enables a smooth migration in supporting an increasing amount of data over the wireless infrastructure at optimized cost.

Core and dedicated rings

Optical flexibility and density, dependability and cost efficiency make the FLASHWAVE 4500 platform ideal for incumbent national carriers deploying core, dedicated ring and path-protected mesh topologies.

Multiservice transport

With a single multirate card, the FLASHWAVE 4500 platform provides the ultimate in optical flexibility, easy sparing and low maintenance costs.

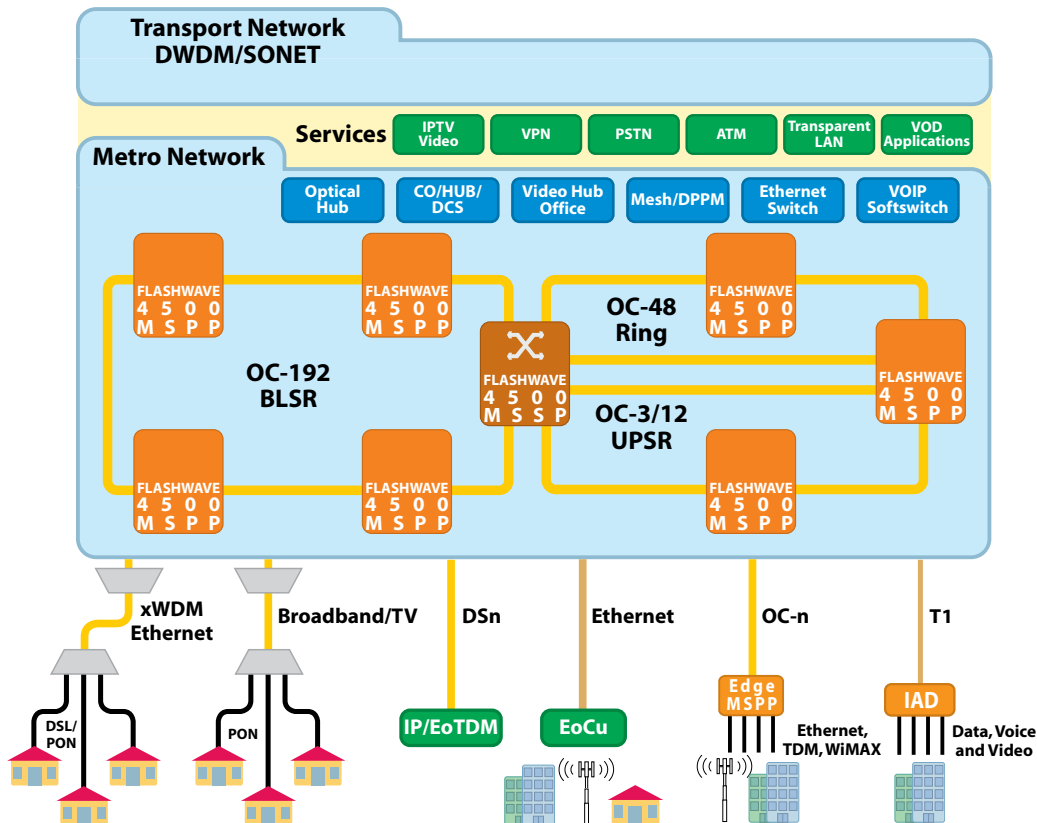
Transition to broadband

The FLASHWAVE 4500 system is the ideal migration platform to assure a smooth transition to a more packet-centric network. The platform simultaneously maintains important revenue-bearing OC-n/TDM services.

DCS and optical hubbing

The FLASHWAVE 4500 system supports optical hubbing of OC-3/12/48/192 rings. This enables traffic aggregation and grooming across multiple networks when utilized with the inherent DCS functionality.

Scalable, dependable, cost-effective



Network life cycle services

Fujitsu offers a broad selection of professional services to assist at every stage in a network's evolution and operation. From planning through deployment and ongoing maintenance to future enhancements, Fujitsu Network Life Cycle Services are available whenever needed. Our comprehensive range of services includes network and system design, training, customized deployment, craft interface software, migration planning and more. Your Fujitsu sales representative can guide you in selecting the right service options for your business.

Popular planning and deployment services for the FLASHWAVE 4500 platform include:

- **NETSMART® 1500 Network Management System (NMS)** – Simplify Operations, Administration, Maintenance and Provisioning (OAM&P) through a secure point-and-click interface.
- **Advance Hardware Replacement** – Ensure uninterrupted operation with spares supplied within four hours or by the next business day.
- **Remote Technical Assistance** – Our Technical Assistance Center is your central point of contact for resolving network issues in collaboration with highly trained Fujitsu engineers—24 x 7 x 365.

Fujitsu Maintenance and Support Program

For a complete professional maintenance solution, the Fujitsu Maintenance and Support Program has the right combination of flexibility and comprehensive assurance. Choose the level and types of service you need to supplement your own resources. The Maintenance and Support Program helps keep your network running smoothly, provides critical care and protects the longevity of your investment.

Network Operations Center

With a full range of vendor-independent network fault and performance monitoring features, the Fujitsu Network Operations Center (NOC) offers guaranteed, round-the-clock system protection. Our reliable NOC facility is available as a primary or supplemental operations resource. This service not only helps you control costs and maintain high levels of customer satisfaction, it also provides trustworthy and reliable after-hours and emergency coverage.



FLASHWAVE® 4500

Multiservice Provisioning Platform

Features and specifications

Architectures	<ul style="list-style-type: none"> • Terminal • Linear ADM (1+1) • Unidirectional Path Switched Ring (UPSR) • Two Fiber-Bidirectional Line Switched Ring (2F-BLSR) • Four Fiber-Bidirectional Line Switched Ring (4F-BLSR) • Dedicated Path Protected Mesh (DPPM) • Resilient Packet Ring (RPR) 	
Interfaces	DS1	64-pin AMP® CHAMP connectors
	DS3/EC1	BNC connectors
	OC-3/STM-1	SC for dual unit; LC for quad unit, MPO connector for 8-port unit 1310 nm wideband
	OC-12/STM-4	LC, FC, SC or ST for single unit; LC for quad unit; MPO connector for 8-port unit 1310 nm wideband 1550 nm wideband (single unit only)
	OC-48/STM-16	LC, FC, SC or ST connectors 1310 nm wideband 1550 nm tunable narrowband (8 λ @ 50 GHz)
	OC-192/STM-64	LC, FC, SC or ST connectors 1310 nm wideband; 1550 nm wideband 1550 nm tunable narrowband (4 λ @ 100 GHz) 1550 nm full band tunable to 88 λ (@ 50 GHz spacing) G.709 compliant
	Ethernet (EoS)	RJ-45 connectors for 10/100Base-T Ethernet; LC or SC connectors for Gigabit Ethernet
Ethernet Aggregation (trunking port, RPR)	LC connectors for dual port unit 850 nm wideband; 1310 nm wideband High/Low Order Aggregation	

Protection	DS1	1+1 or unprotected
	DS3/EC1	1:n (n=1 to 6) or unprotected
	DS3 Transmux	1+1 or 1:n (n=1 to 6)
	OC-3/STM-1	1+1, UPSR, DPPM or unprotected
	OC-12/STM-4	1+1, UPSR, DPPM or unprotected
	OC-48/STM-16	1+1, UPSR, 2F-BLSR, DPPM or unprotected
	OC-192/STM-64	1+1, UPSR, 2F-BLSR, 4F-BLSR, DPPM or unprotected
Ethernet	RPR or unprotected Port Link Aggregation or Unit Link Aggregation	
Switch matrices	1+1	
Synchronization	1+1	

- Synchronization**
- Internal Stratum 3 timing source
 - Synchronization Status Messaging (SSM)
 - DS1 Building Integrated Timing Supply (BITS) primary and secondary clock output/input
 - Line timing

Switching

Maximum Switching Capacity				
Specification	Single MSPP	Main Shelf MSSP/MSSP	Double Shelf MSSP	Triple Shelf MSSP
Switch Capacity	70 Gbps	140 Gbps	220 Gbps	300 Gbps
STS-1 Cross-Connects	1344 x 1344	2688 x 2688* 5760 x 5760**	5760 x 5760	5760 x 5760
VT1.5 Cross-Connects	5376 x 5376 (10 Gbps)	21,504 x 21,504 (40 Gbps)	21,504 x 21,504 (40 Gbps)	21,504 x 21,504 (40 Gbps)
* Requires 140 Gbps switch fabric ** Requires 300 Gbps switch fabric				

Maximum Number of Unprotected (Protected) Service Interfaces

Type	Ports/ Card	Single Shelf MSPP/MSSP	Double Shelf MSSP	Triple Shelf MSSP
DS1 (Integrated)	28	84 (84)	168 (168)	252 (252)
DS1 (High-Density)	168	6720	13,440	20,160
DS3/EC1	8	96 (96)	192 (192)	288 (288)
DS3 Transmux	12	144	288	432
OC-3/3c/STM-1	8	160 (80)	320 (160)	480 (240)
OC-12/12c/STM-4	8	160 (80)	320 (160)	480 (240)
OC-48/48c/STM-16	2	40 (20)	80 (40)	120 (60)
OC-192/192c/STM-64	1	10 (5)	20 (10)	30 (15)
10/100Base-T Ethernet	4 (8)	80	160	240
Gigabit Ethernet	2	40	80	120

Features and specifications

- Operations**
- In-service expansion from MSPP to MSSP with common operations benefits
 - Standard RPR embedded management plane
 - TL1 protocol over X.25, OSI/LCN or IP/LCN
 - Simple Network Management Protocol (SNMP)
 - TCP/IP and X.25 gateway functionality
 - Software download and remote memory backup/restore
 - Managed via NETSMART 500 Element Management System (EMS) and NETSMART 1500 NMS
 - DS1, DS3, OC-3 and OC-12 digital test access
 - PM Threshold Provisioning on a per facility basis
 - G.709 compliant digital wrapper for narrowband OC-192 optical channel adaptation
 - Automatic equipment protection group creation
 - Interoperable with all Fujitsu transmission products
 - Full suite of in-service hardware and software upgrades
 - NEBS Level 3 compliant
 - Telcordia OSMINE compliant

Power Consumption/ Heat Dissipation	Per shelf (typical)	400 W (1364 BTU/hr)
	Power Input	-48 V DC (A and B)
Operating Environment	Temperature	0 to 50 °C (32 to 122 °F)
	Humidity	5 to 95% (non-condensing)
Physical Characteristics	Dimensions (H x W x D)	22.75 x 21.5 x 12" (578 x 546 x 305 mm)
	Weight (fully loaded)	137 lb (62 kg)



FLASHWAVE 4500 multishelf configuration



Fujitsu Network Communications Inc.

2801 Telecom Parkway, Richardson, TX 75082

Tel: 800.777.FAST (3278) Fax: 972.479.6900

us.fujitsu.com/telecom

© Copyright 2010 Fujitsu Network Communications Inc.
FLASHWAVE® is a trademark of Fujitsu Network Communications Inc. (USA).
FUJITSU (and design)™ and "shaping tomorrow with you" are trademarks of Fujitsu Limited.
All Rights Reserved. All other trademarks are the property of their respective owners.
Configuration requirements for certain uses are described in the product documentation.
Features and specifications subject to change without notice.

**EQUIPMENT
FOR SALE**

FUJITSU EQUIPMENT

Flash-192 | Flashwave 4100 | Flashwave 4500 | FLASH 2400 ADX
Flashwave 7700 | Flashwave 9500 | Flashwave CDS | FLM 2400



FUJITSU

**Contact Today
For Current Inventory**

Visit TELECOMCAULIFFE.com

✓ **REDUCING LEADTIMES** ✓ **COST SAVINGS** ✓ **LIFETIME WARRANTY** ✓ **SUSTAINABLE SOLUTIONS**

PICS | **TELECOMCAULIFFE**
A PICS TELECOM TEAM

BILL MCAULIFFE
Director of Sales – National Accounts

TEAMMCAULIFFE@PICSTELECOM.COM | 585.746.6383 | TELECOMCAULIFFE.COM

* This document contains confidential and proprietary information that is the property of PICS Telecom International, which is provided for the sole purpose of permitting the recipient to respond to this Equipment Sale flyer. No part of this document is to be used without written permission by PICS Telecom. All trademarks, trade names, photos, or logos mentioned or used are the property of their respective owners and are intended solely for identification purposes.