

VERTIV™ BBE BD SERIES

UPCBD7 Broadband Edge Enclosures



KEY FEATURES

- Rugged metal housing made of mill-galvanized steel for durability and low maintenance costs.
- Our unique multi-stage paint process meets or exceeds EPA standards, and provides a tough corrosion resistant finish for longer life.
- Double-access hinged doors allow easy access to all conductors.
- Positive action three-point locking mechanism with padlock provisions provides security from unauthorized entry.
- RUS accepted bonding/grounding system accommodates the RUS PE-91 requirement for bonding/grounding.
- Close-cell neoprene door gasketing offers weatherproof protection for internal components.
- Stake- or pad-mount capability for installation flexibility of multiple applications.

Description

The Vertiv™ BBE BD Series UPCBD7 is a round-cornered, rectangular telephone equipment enclosure accepted for use by the RUS. The UPCBD7 includes two PVC-coated splice support bars, ground and cable support bar, grounding connector, weather stripping, and two mounting stakes. For mounting additional equipment order the HIACT200 mounting plate kit.

Application

The UPCBD7 serves as an above-ground enclosure used for splicing, load-coil mounting, mounting of cross-connect systems, terminal blocks, and other telco equipment.



Dimensions

| CATALOG NUMBER | A | B | C | D | W | SPLICE | CABLE SIZE | EXTERNAL LOADING |
|----------------|--------|--------|------------|------------|--------|-----------|------------|------------------|
| UPCBD7 | 48-in. | 14-in. | 33-1/8-in. | 11-3/8-in. | 23-in. | 2400 pair | 3-in. | 400 pair |

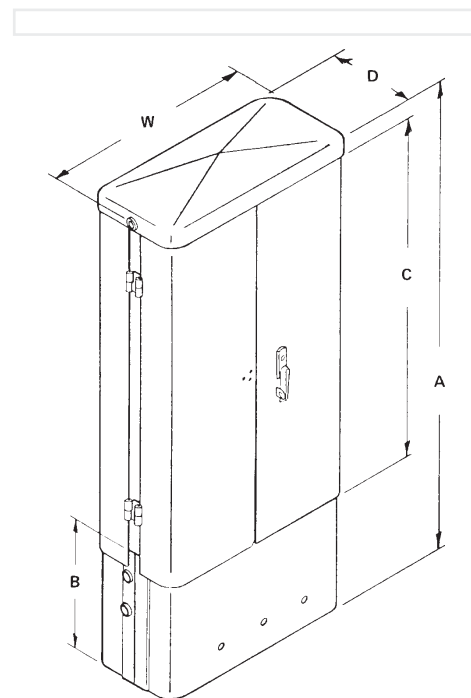
NOTE: Total number of pairs spliced are dependent on connector use and local practices.

Ordering Information

| CATALOG NUMBER | PART NUMBER | DESCRIPTION |
|----------------|-------------|--|
| UPCBD7 | F604310 | Gray-green BD7 enclosure with brackets |

Accessories

| CATALOG NUMBER | PART NUMBER | DESCRIPTION |
|----------------|-------------|--------------------------------|
| HIACT200 | F605620 | High activity mounting PLT kit |
| MS1342 | F604080 | Metal stakes, 10/pkg. |
| PADMT200300 | F605650 | Pad-mounting kit |



EQUIPMENT
FOR SALE

VERTIV UPCBD7 Broadband Edge Enclosures



VERTIV

The Vertiv BBE BD Series UPCBD7 is a round-cornered, rectangular telephone equipment enclosure accepted for use by the RUS. The UPCBD7 includes two PVC coated splice support bars, ground and cable support bar, grounding connector, weather stripping, and two mounting stakes.



Part # F604310

BRAND NEW

Large Quantities
Available!

Contact Today
For Current Inventory

Visit TELECOMCAULIFFE.com

✓ REDUCING LEADTIMES

✓ COST SAVINGS

✓ LIFETIME WARRANTY

✓ SUSTAINABLE SOLUTIONS

PICS

TELECOMCAULIFFE

A PICS TELECOM TEAM

BILL MCAULIFFE

Director of Sales – National Accounts

TEAMMCAULIFFE@PICSTELECOM.COM | 585.746.6383 | TELECOMCAULIFFE.COM